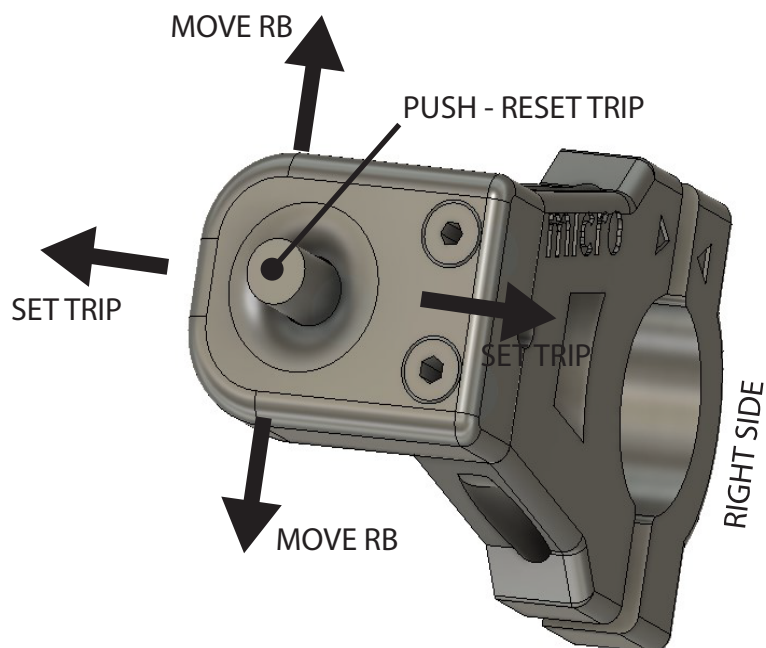


O2RC micro - RB controller



TO PAIR:

- 1) SWITCH ON THE BOARD (WITH THE TOGGLE ON THE BOX), A LED LIGHT WILL START TO BLINK.
- 2) SEARCH O2RC ON YOUR DEVICE (BLUETOOTH SECTION OF YOUR MOBILE/TABLET) AND PAIR IT, THE LED WILL STOP TO BLINK AND IT WILL BE FIXED; AND THAT'S IT, THE SYSTEM IS READY TO USE.

NO PASSWORD NEEDED, THE O2RC CAN BE PAIR ONLY WITH ONE DEVICE AT TIME.

IF YOU NEED TO USE IT ON ANOTHER DEVICE, UNPAIR IT FROM THE BT SECTION OF YOUR MOBILE/TABLET, TURN OFF THE O2RC, TURN IT ON, AND START THE PAIRING (1).

HOW TO USE



<http://Rally.o2riders.com>